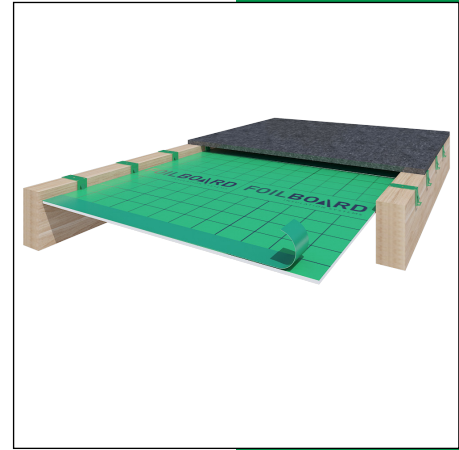


The following steps will demonstrate the easiest installation method while ensuring optimal thermal performance for your project.

In this guide, Foilboard panels are pushed down onto the Foilboard floor saddles before the flooring is laid on top.



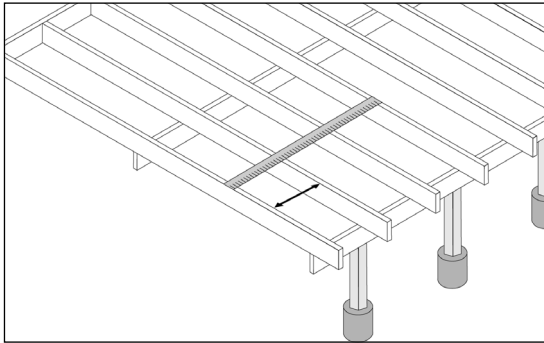
## ACCESSORIES



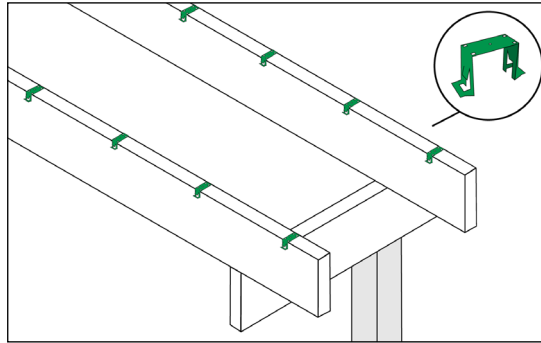
Foilboard Green **OR**  
Silver Joining Tape

Foilboard Saddle for  
Green15 & Green20

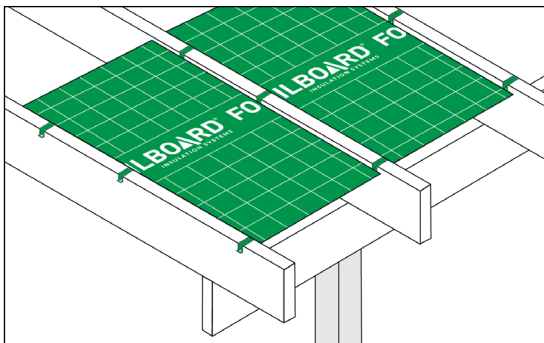
## INSTALLATION



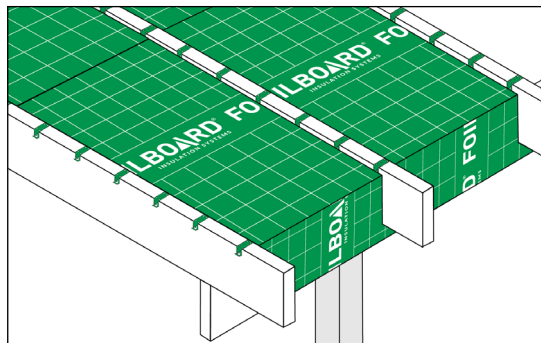
**STEP 1** Measure distance between joists and cut the Foilboard panel to size using a straight edge and a sharp knife.



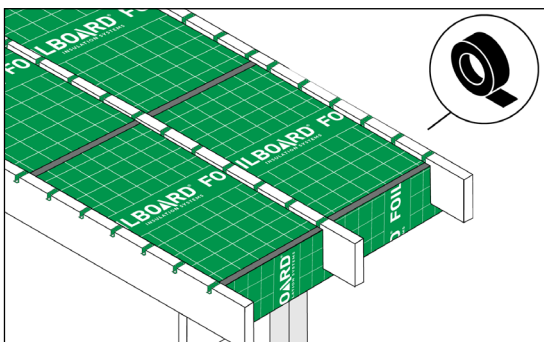
**STEP 2** Place Foilboard floor saddles along the joists, starting 300mm from ends and spacing at intervals of 600mm.



**STEP 3** Push Foilboard panels firmly into place from above, sitting between base and top flap of the saddle. Ensure anti-glare side faces up.



**STEP 4** Enclose airspace by sealing the end of the joist cavities with more Foilboard panel pieces.



**STEP 5** Tape any joints or gaps using Foilboard silver or green joining tape, ensuring an enclosed reflective air space.

## PRO TIPS

- To minimise wastage cut across the width of the panel making each cut panel 1200mm long.
- Foilboard saddles can be stapled or nailed if required while installing.
- When marking out the Foilboard panels, add 2mm to each measurement, this will ensure a snug fit and allow for any slight variation between the joists.

\* Disclaimer: this installation method is a guide only.

INFORMATION LINE  
1800 354 717

[www.foilboard.com.au](http://www.foilboard.com.au)

